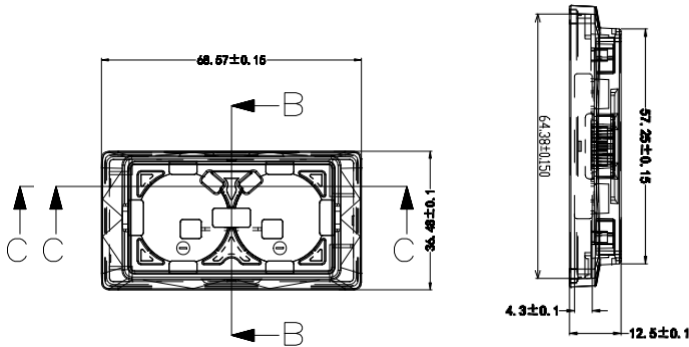


ESL-PT213-3R

OPTA SERİSİ 2.13" 3 RENK ESL



Product model



SPECIFICATIONS

| Spec | Unit | Details |
|-------------------|-------|---------------------------|
| Dimensions | mm | 68.57*36.48*12.5 |
| Screen Size | mm | 48.5*23.7 |
| Definition Rate | pixel | 250*122 |
| Pixel Density | DPI | 130 |
| Display Colors | - | Black/White/Red, |
| Battery | - | CR2450 x2pc/1200mAh |
| Battery Lifetime | year | 10 years (4 Times/Day) |
| Working Temp | °C | 0~40°C |
| NFC | - | Standard |
| Working Frequency | - | 2405~2480Hz |