

HCH-3060-CHG

6 Bay Cradle Charger

Charger Specifications:

Temperature Limits:

Operating Range: 0°C to +40°C
Storage Range: -10°C to +50°C

Dimensions:

Width: 6.3 inches (160 mm)
Length: 24.8 inches (630 mm)
Height: 4.25 inches (108 mm) - without batteries or devices inserted.
Weight: 5.6 lb (2500 g)

Warranty:

Each charger is guaranteed to be free from defects in materials and workmanship for 24 months from date of shipment under normal use.



Compatible Batteries:

HMC3000-IMG-Li Honeywell® Battery
HMC3000-LAS-Li Honeywell® Battery

- Highest quality cells used.
- Longer cycle life.
- Extremely rugged.
- Rigorous testing.

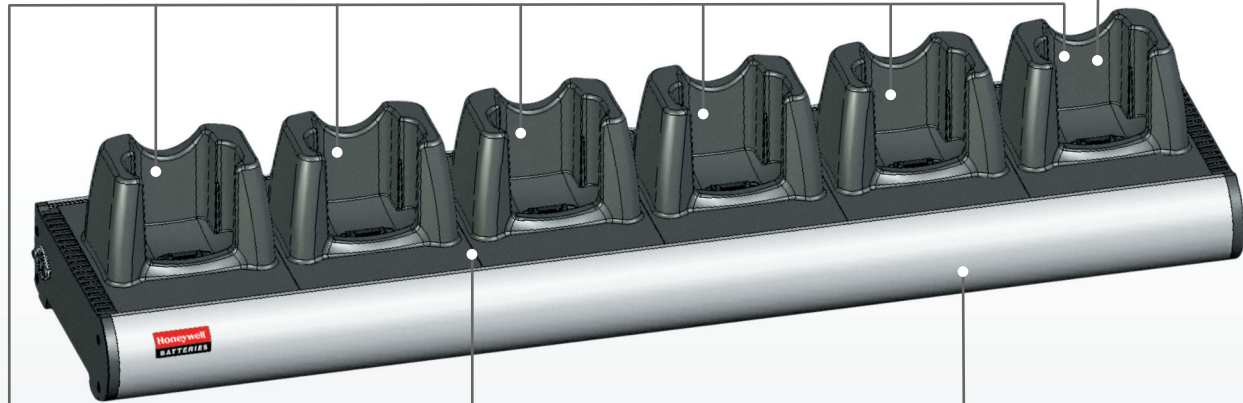


Trademarks are the sole property of their respective owners.
The Honeywell® Trademark is used under license from Honeywell® International Inc.

Made of highly rugged aerospace grade aluminium housing.

Includes power supplies and cable.

Dual-chemistry charger
Supports Li-Ion and Li-Polymer chemistries.



More charging in less space
Charges 50% more batteries in same space as OEM charger.

Tri-color charging indications
A charging LED indicates charging status.



Hassle-free mounting
Utilizes same mounting bracket as Symbol® chargers for easy wall mounting.

For Pricing or Additional Information Contact:

Global Technology Systems, Inc.
550 Cochituate Road Framingham, MA 01701
800.267.2711 ■ In Europe call: 00800.5390.5390
www.honeywellbatteries.com